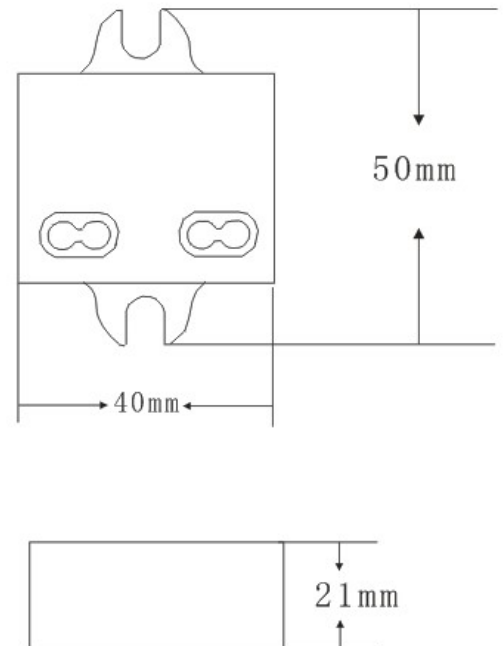


ARPV-12005T (12V, 0.42A, 5W)

Input Cable: Terminal
Output Cable: Terminal
Input voltage: 170~240VAC
Output voltage: 12VDC
Relative humidity 85% RH. Non-condensing

Drawing:



Electronical specification

INPUT VOLTAGE:	170~240 Vac
INPUT RANGE VOLTAGE:	170~264 Vac
INPUT FREQUENCY:	50~60 Hz
INPUT RANGE FREQUENCY:	47~63 Hz
INPUT CURRENT:	0.06 Amp. rms. at 170 Vac
INRUSH CURRENT:	40 Amp. peak at 170 Vac 80 Amp. peak at 240 Vac.
	Tested At Max. load 25°C, Cold start
OUTPUT VOLTAGE:	12 V
REGULATION:	± 5 %
MIN. LOAD CURRENT:	0 A
MAX LOAD CURRENT:	420m A
RIPPLE AND NOISE 1:	120 mVp-p Max. At 170 Vac, 50/60 Hz, Max. load 25°C
RIPPLE AND NOISE 2:	140 mVp-p Max. At 240 Vac, 50/60 Hz, Max. load 25°C
NOISE TEST BANDWIDTH:	20 MHz
LINE REGULATION:	INPUT = 170 ~ 260 Vac. output loaded at Max. load. REGULATION = ± 5 %
TOTAL OUTPUT:	5 W
POWER EFFICIENCY:	72% Min. at 170~260 Vac 50/60 Hz. Max. load.
OVER CURRENT PROTECTION , SHORT CIRCUIT PROTECTION (LATCHED SHUTDOWN)	
TOTAL POWER PROTECTION:	10 W THE STANDBY POWER: 0.5 W max.
OVER VOLTAGE PROTECTION:	15 Vdc Max.

Mechanical specification

DIMENSIONS:	50 (L) * 40 (W) * 21(H)mm (Tolerance as drawing)
WEIGHT:	32 g Max.
OPERATING TEMPERATURE:	0°C To 40°C
STORAGE TEMPERATURE:	-20°C To 60°C
RELATIVE TEMPERATURE:	40°C ± 2°C